



## AUTOPACK - 4K HMI Servo S.S.

High Speed Single Head Mechanical Machine All SS



**SPEED: 1800 to 4000 Pouches/Hr**

- Total S.S. Machine
- High Speed High Accuracy
- No Compressed Air
- No Cooling Water
- No Teflon Tape
- No Heating Element



# ATOMIC ENGINEERS™

Corporate Office & Factory :  
Khedekar Ind. Estate, Katraj - Narhe - Dhayri Road,  
S. No. 38/1, Narhe, Pune - 411041. INDIA

An ISO 9001 : 2015 Certified Company

Web: [www.atomicengineers.com](http://www.atomicengineers.com)

Email: [info@atomicengineers.com](mailto:info@atomicengineers.com)

Mob: +91 9422301357,59, 830856 2020,2121

### Salient Features:

- All SS construction including structure
- No Compressed air No cooling water
- High Accuracy System
- Advance sealing system
- Equipped with Touch Screen HMI & PLC
- Servo Motors For Pouch Film Pulling
- Motorized Film Unwind System
- One Touch Settings Enabled
- Stops Automatically on Fault

### Technical Specifications of 'AP – 4K HMI Servo S.S.'

- Machine Dimensions: 870mm(W), 1125mm(D), 2700mm(H)
- Pack Quantity Range: 200 ml to 1000 ml
- Accuracy:  $\pm 0.5 \%$
- Packaging Material: LDPE/LLDPE  
Film Width: 325 +2/-0 mm, Reel Dia: 350 mm
- Package Style: Center sealed pillow pouch
- Speed: Up to 4000 pouches/hour for up to 500 ml Pouches  
Up to 3000 pouches/hour for 1000ml Pouches  
(\*Output & accuracy is dependant upon film and product\*\*)
- Power: 415 V  $\pm 1\%$  AC 3 Phase, 50 Hz, 4 Wire (Stabilized)
- Power Consumption: 2 KWH Appx

### Optional Accessories

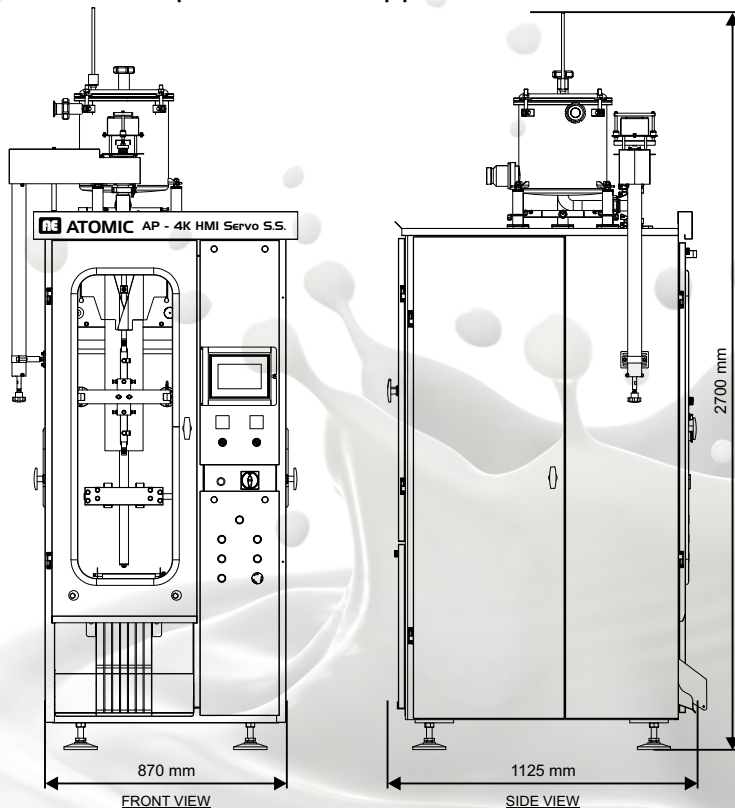
- Photomark Scanner
- Date Batch Coder
- Extended Legs
- Tray stand & Platform

### Product Applications

- Plain Milk
- Flavored Milk
- Tak / Lassi
- Drinking Water
- Juice Drinks



Detailed specifications along with MOC on request



#### Tentative Pack Sizes

Quantity	Width	Length
200 ml	150 mm	100 mm
500 ml	150 mm	155 mm
1000 ml	150 mm	230 mm

#### Pouch Format



CSPP 500 ml



Due to continuous R & D, Actual Photos, Specifications & Dimensions subject to change.



# ATOMIC ENGINEERS™

Corporate Office & Factory :  
Khedekar Ind. Estate, Katraj - Narhe- Dhayri Road,  
S. No. 38/1, Narhe, Pune - 411041. INDIA

An ISO 9001 : 2015 Certified Company

Web: [www.atomicengineers.com](http://www.atomicengineers.com)

Email: [info@atomicengineers.com](mailto:info@atomicengineers.com)

Mob: +91 9422301357,59, 830856 2020,2121